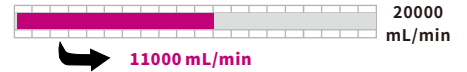


# Quick-load Industrial Pump Head

Max. Flow Rate



## KZ35

PUMP HEADS



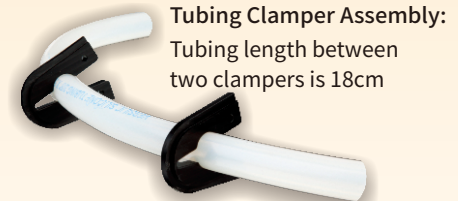
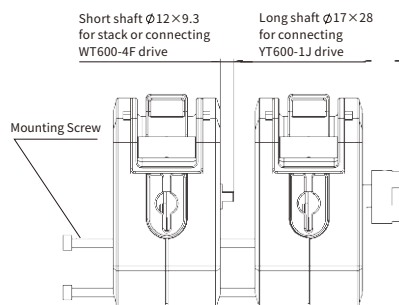
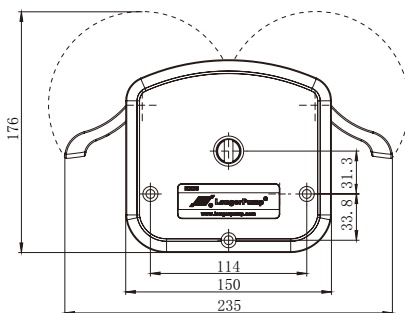
- Similar flow rate to YZ35-13  
304 stainless steel  
Mainly for industrial applications  
Two tubing retention modes
- Continuous tubing
  - Tubing with fittings



For continuous tubing



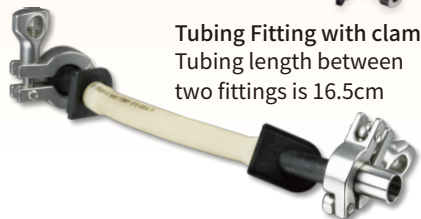
For tubing with fittings



**Tubing Clamper Assembly:**  
Tubing length between two clampers is 18cm



**Tubing Fitting Assembly:**  
Tubing length between two fittings is 16.5cm



**Tubing Fitting with clamp:**  
Tubing length between two fittings is 16.5cm

Model	Shaft	Product Code	Roller Number	Roller Material	Housing Material	Tubing	Speed (rpm)	Max. Flow Rate (mL/min)	Weight (kg)
KZ35-13-A	Long	05.01.26A	3	Stainless steel	Stainless steel	26#, 73#, 82#	≤600rpm	11000	3.7
KZ35-13-B	Short	05.01.26B				26#, 73#, 82#	≤600rpm	11000	
KZ35-13-C	Long	05.01.74C				26#, 73#, 82#	≤600rpm	11000	
						82A#, 184#	≤300rpm	9000	
KZ35-13-D	Short	05.01.74D				26#, 73#, 82#	≤600rpm	11000	
			82A#, 184#	≤300rpm	9000				