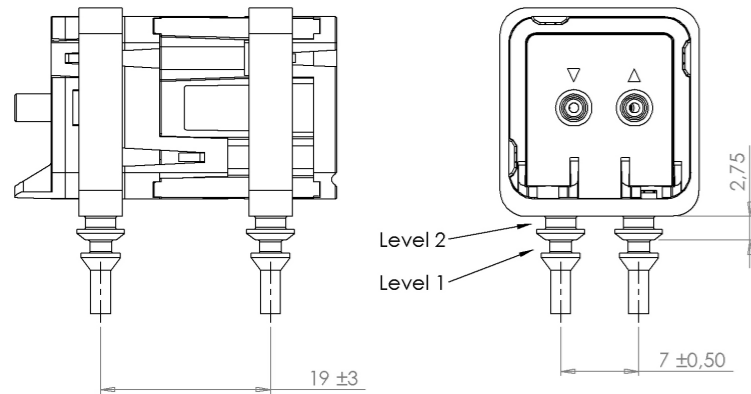


**PUMP HOLDER**



**PUMPHOLDER FOR ALL PUMPS**

Xavitech can offer a solution that is based on moulded parts in silicon material for pull through quick mount. By press fitting two soft holders, one from each side of the pump, you get 4 soft arrow like pins underneath the pump. These pins you can pull through holes and they will expand on the other side of a PCB and thus create a lock. There are two arrows on each pin so you can mount the pump at two different levels. At level 1 the pump will be elevated 2.75mm and enables you to have electrical components underneath the pump. When pump is mounted on PCB, excessive parts of the pin underneath the PCB can be cut away. Available for all Xavitech pump models.



**Mount drawing**

V/P200  
(Also available for V/P1500 pumps)

**Benefits with using Xavitech's pump holder**

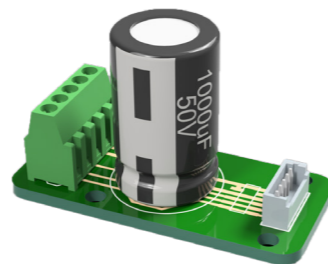
- Absorbs vibrations
- Easy mounting on PCB or other materials
- Electronic or other components can be placed underneath
- Cost effective

Drill hole 4 x Ø3 mm for level 2 mounting

Drill hole 4 x Ø2mm for level 1 mounting

**PCB ADAPTER**

This small adapter is intended for use during testing and evaluation of Xavitech Black edition micro pumps. With all necessary components integrated on this small PCB the verification process could not get any easier.



**SILICONE TUBING**

Get started directly with your Xavitech pump test. We offer silicone tubes with correct dimensions. Available for all Xavitech pump models.



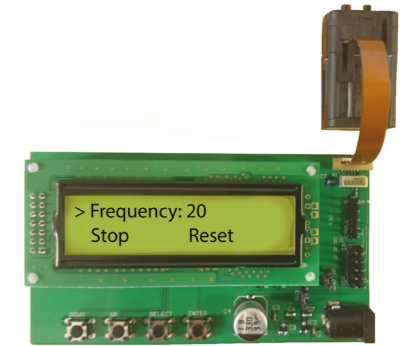
**TUBE CONNECTORS**

For harder tubings or steel pipe connections with outer dimension of 4 mm we recommend to use tube connectors. Adapted to fit the 1500 models.



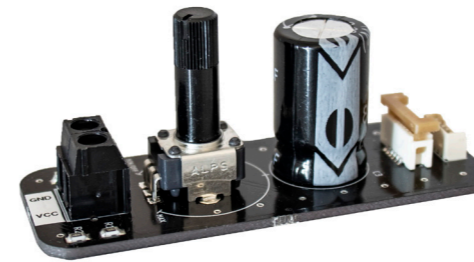
**FLOW CONTROL UNIT (FCU)**

With our FCU the user can calibrate the pump flow rate (operating frequency). Adjust the flow rate by pushing the buttons and the new setting will be stored in the pump's built-in memory. This feature will help to find the optimal flow rate for your specific application. In this way the user can try different flow rate settings for each pump which will speed up evaluation during R & D phase. Only available for the Intelligent Black edition pumps.



**ANALOG FLOW CONTROLLER (AFC)**

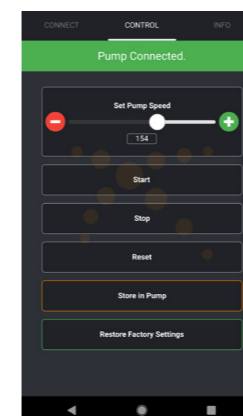
This small flow controller is intended for use during testing and evaluation of the Analog Black edition micro pumps. By turning the potentiometer the user will be able to adjust pump flow rate (operating frequency) within the whole range from pump off up to max flow rate. Available for the Intelligent- and the Analog Black edition pumps.



**COMPUTER ADAPTER**

The Computer Adapter can be used to send serial commands to a Black Xavitech pump. The adapter connects via USB and will create a virtual com port on your computer. Please refer to the Serial Interface section in the pump datasheet for information on how to communicate with the pump. The adapter works with Linux, Windows and Mac. Connect power to VCC and GND on the screw terminal. The other connections on the screw terminal can only be used if not connected via USB.

Micro USB-cable not included.



**PUMP CONTROLLER APP + BLUETOOTH DONGLE**

Connect an Intelligent Xavitech Black edition 5-cable/flex connection pump to our bluetooth adapter and connect your android device to the pump. Experiment with different flows, store new settings and restore to original speed. Only available for the Intelligent Black edition pumps.

Requires Android 5.0 or higher.