

Ring Pump®

CIII Series



Features

- Small in size and in flow rate among multi-purpose pumps in our lineup.
- Pump head including tube is replaceable and you have wide range of usage.

Examples of application

Analytical instruments, medical devices, ink jet printer and many other usage where micro-fluidic control is needed.

Main specifications

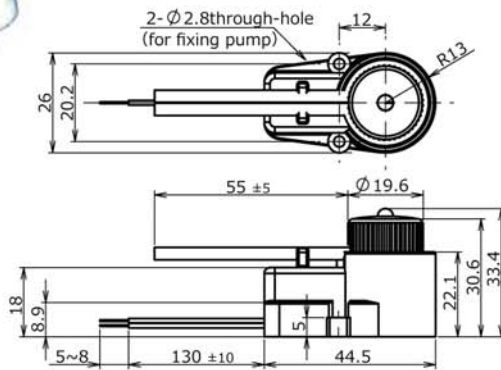
Flow rate (mL/min) ※	1.6 2.8
Tubing	Silicone/Pharmed/Fluran
Motor/Power source	DC3V~5V
Material of main parts	Case: ABS Head: POM
Weight (for reference)	Approx. 30g

※ Flow rate can be adjustable by power voltage.

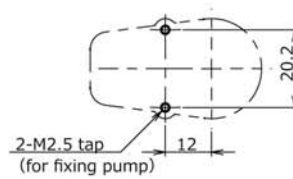
Pump head is replaceable easily without screw.



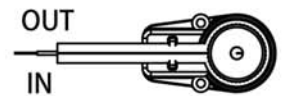
【Outline view】



【Mounting plate view】



【Flow direction】

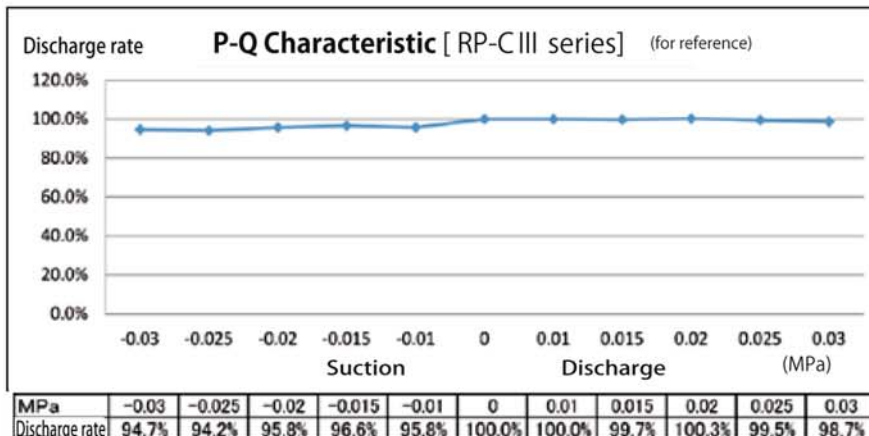


Model Lineup

Model Lineup	Voltage (DC/V)	Flow rate (mL)		Tubing		Remarks	
		/min	/rotation	Type/ID	ID/OD (mm)	Variable Range	Rotation
RP-CIII 1.6S-2Z-DC3V	3	1.6	0.036	Silicone (S)	1.6 X 3.2	3V - 5V	CCW
RP-CIII 1.6F-2Z-DC3V	3	1.6	0.036	PharMed (F)	1.6 X 3.2		
RP-CIII 1.6R-2Z-DC3V	3	1.6	0.036	Fluran (R)	1.6 X 3.2		
RP-CIII 1.6S-3Z-DC5V	5	2.8	0.036	Silicone (S)	1.6 X 3.2	3V - 5V	CCW
RP-CIII 1.6F-3Z-DC5V	5	2.8	0.036	PharMed (F)	1.6 X 3.2		
RP-CIII 1.6R-3Z-DC5V	5	2.8	0.036	Fluran (R)	1.6 X 3.2		

* Flow rate can be adjusted by power voltage from 3V to 5V.

* PharMed / Fluran : product of Saint-Gobain SA



* Variable by material or ID of tubing.